

# ARX605

# PXI/ cPCI Portable Chassis



## Specification

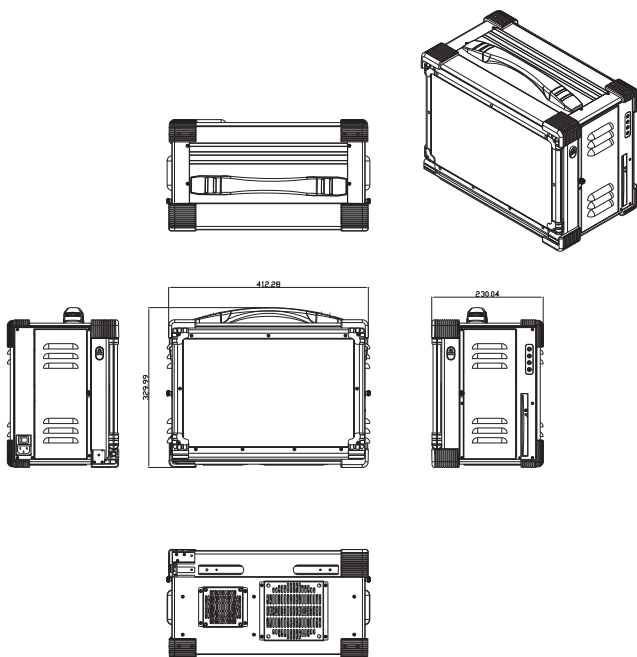
Model No	ARX605
Construction	Rugged Aluminum Construction with rubber corners
Backplane	5-slot 64-bit/ 66 MHz 6U cPCI CT bus backplane PICMG 2.5H. 110CT bus
Form Factor	6U CompactPCI
Accessible Slot	1 system slot & 4 Peripheral slots
Rear I/O	P3 & P5 rear I/O
Display	15" LCD display with touch screen
Drive bay	Slim DVD-ROM
KB/MS	Multi-language industrial keyboard with touchpad
Power Supply	1U 400W, 100~240VAC, Auto switch
Dimension	412x 330x 230 mm (Wx Hx D)
Weight	12 kgs
Carrying Case	Padded carrying case with wheels

## Features

- Aluminum alloy housing design
- Design for portable instrument applications
- 6U compactPCI and PICMG 2.5 H.110 CT bus
- PICMG 2.1 hot swap compliant 32-bit or 64-bit  
5-slot CompactPCI backplane with P3 & P5 rear I/O
- Built-in 15" LCD display with touch screen
- One system slot and 4 peripheral slots
- Integrated keyboard and touchpad
- 1U 400W power supply, 100~240VAC
- Built-in slim DVD-ROM device
- Carrying case to manage portable PC with ease

## Environmental Factors

	Operating	Non-Operating
Temperature	0°C~50°C	-20°C~60°C
Relative Humidity	10%~90%	10%~95%
Approval	CE, FCC, RoHS	



## Ordering Information

### ARX605-15US

15" LCD with touch screen, 5-slot 6U CompactPCI portable computer, 1U 400W PSU, carry case