

ARP980-B

Multi-Slot Portable Computer

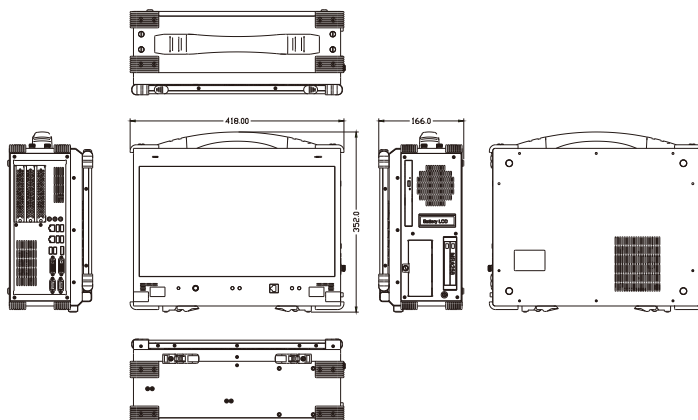


Specification

Model No	ARP980-B
Construction	Rugged Aluminum Construction with rubber corners
CPU	Intel Core i5-4400E, 2.70GHz Processors Option: Intel Core i7-4700EQ, 2.4GHz
Chipset	Intel QM87 PCH Mobile Platform
Slot	2x PCI, 1PCI-E (x16) full-length expansion slots Option: 3x PCI-E (x16, x1, x1) full-length expansion slots Option: 3x PCI-E (x8, x8, x1) full-length expansion slots
Display	17.3", 1920x 1080 resolution LCD display
Memory	2x 8GB RAM
HDD	1x SSD 240GB Support 2x 2.5" removable SATA
CDROM	1x Slim DVD-RW
Interfaces	2x DB9 for COM1, COM2, DVI-D + DVI-I, DP 2x Gbit LAN RJ-45, RCA Jack 3x1 for HD audio 4x USB 3.0, 2x USB 2.0 connector
Audio	Intel® QM87 built-in high definition audio controller With Realtek ALC892 for 7.1 CH audio
LAN	Intel Clarkville I217LM GbE PHY Intel Pearsonville I211AT as 2nd GbE
Speaker	Built-in amplified 2x 3W speakers
KB/MS	Multi-language industrial keyboard with touchpad
Power Supply	2x 95W Li-ION battery pack (Hot-Swappable) Up to 4 hours battery life 100W, 90~264VAC adapter
Dimension	418x 352x 166 mm (Wx Hx D)
Weight	7.6 kgs
Carrying Case	Padded carrying case with wheels

Environmental Factors

	Operating	Non-Operating
Temperature	0°C~50°C	-20°C~60°C
Relative Humidity	10%~90%	10%~95%
Approval	CE, FCC, RoHS	



Features

- All-in-one design rugged portable computer
- Compact Size Lightweight Design
- Built-in 17.3" 1920x 1080 LCD display
- Intel Core i5-4400E (2.70 GHz) Processors
Option: Intel Core i7-4700EQ, 2.4 Ghz Processors
- 2x 95W Li-ion battery packs, 100W AC adapter
Up to 4 hours battery life
- Industrial Keyboard multi-language with touchpad
- 2x PCI, 1PCI-E (x16) full-length expansion slots
Option: 3x PCI-E (x16, x1, x1) full-length slots
Option: 3x PCI-E (x8, x8, x1) full-length slots
- Built-in SSD 240GB, Support 2x 2.5" removable HDD
- Dual Gigabit Ethernet, 2x COM Port
- Carrying case to manage portable PC with ease



Ordering Information

ARP980-B17WUSC

17.3" FHD, i5-4400E CPU, 2x 8G RAM, 2 PCI, 1PCI-E(x16), SSD 240G, DVD-RW, Battery packs, Carry case

ARP980-B17WUSD

17.3" FHD, i5-4400E CPU, 2x 8G RAM, 3 PCI-E (x16,x1,x1) slots, SSD 240GB, DVD-RW, Battery packs, Carry case

ARP980-B17WUSG

17.3" FHD, i5-4400E CPU, 2x 8G RAM, 3 PCI-E (x8,x8,x1) slots, SSD 240GB, DVD-RW, Battery packs, Carry case

Option:

- Processor: Intel i7-4700EQ
- Touch screen
- Sunlight readable (High brightness)
- Keyboard layout: CH, FR, GR, KR, RU, SP, UK, US