

# ARP970-W

15.6", 1920x 1080 LCD, Core i5, i7 Processor  
Rugged Multi-Slot Portable



## Features

- All-in-one design rugged portable computer
- Compact Size Lightweight Design
- Built-in 15.6" 1920x 1080 LCD display
- Intel Core i5-2510E or i7-2710QE Processors
- 250W PSU or 2x 95W Li-ion battery packs, 100W adapter, up to 4 hours battery life
- Industrial Keyboard multi-language with touchpad
- 3x PCI-E (x8) full-length expansion slots  
Option 3x PCI-X, or 2PCI, 1PCI-E (x16) slots
- Built-in 500GB, Support 2x 2.5" removable HDD
- Dual Gigabit Ethernet, 2x COM Port
- Carrying case to manage portable PC with ease

## Ordering Information

### ARP970-15WUSA

15.6" 1920x 1080 LCD, i5-2510E CPU, 3 PCI-E (x8) slots, 500G HDD, 2x 4G RAM, DVD-RW, 250W PSU, Carrying case

### ARP970-15WUSB

15.6" 1920x 1080 LCD, i5-2510E CPU, 3 PCI-X slots, 500G HDD, 2x 4G RAM, DVD-RW, 250W PSU, Carrying case

### ARP970-15WUSC

15.6" 1920x 1080 LCD, i5-2510E CPU, 2PCI, 1PCI-E (x16) slots, 500G HDD, 2x 4G RAM, DVD-RW, 250W PSU, Carrying case

### ARP970-B15WUSA

15.6" 1920x 1080 LCD, i5-2510E CPU, 3 PCI-E (x8) slots, 500G HDD, 2x 4G RAM, DVD-RW, Battery Packs, Carrying case

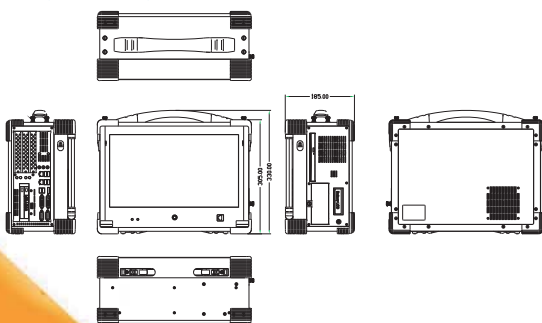
### ARP970-B15WUSB

15.6" 1920x 1080 LCD, i5-2510E CPU, 3 PCI-X slots, 500G HDD, 2x 4G RAM, DVD-RW, Battery Packs, Carrying case

### ARP970-B15WUSC

15.6" 1920x 1080 LCD, i5-2510E CPU, 2PCI, 1PCI-E (x16) slots, 500G HDD, 2x 4G RAM, DVD-RW, Battery Packs, Carrying case

**Note:** Keyboard layout: CH, FR, GR, KR, RU, SP, UK, US



## Specification

Model No	ARP970-15W	ARP970-B15W
Construction	Rugged Aluminum Construction with rubber corners	
CPU	Intel Core i5-2510E, 3M Cache, 2.50GHz Processors Option: Intel Core i7-2710QE, 6M Cache, 2.10GHz	
Chipset	Intel Qm77 Express Chipset	
Slot	3x PCI-E (x8) full-length expansion slots Option: 3x PCI-X full-length expansion slots Option: 2PCI, 1PCI-E (x16) full-length expansion slots	
Display	15.6" 1920x 1080 LCD display Anti-reflection tempered strengthen glass	
Memory	2x 4GB RAM	
HDD	1x 500GB 2.5", 7200 rpm SATA HDD Support 2x 2.5" Hot-Swappable SATA	
CDROM	1x Slim DVD-RW	
Interfaces	2x DB9 for COM1, COM2, DVI-D + DVI-I, DP 2x Gbit LAN RJ-45, RCA Jack 3x1 for HD audio 2x USB 3.0, 4x USB 2.0 connector	
Audio	Intel® QM67 built-in high definition audio controller With Realtek ALC892 for 7.1 CH audio	
LAN	Intel 82579LM Gigabit LAN PHY Intel 82583V Gigabit LAN	
Speaker	Built-in amplified 2x 3W speakers	
KB/MS	87-key industrial keyboard with touchpad	
PSU	250W, 100~240 VAC Auto switch	2x 95W Li-ION battery packs 100W, 90~264 VAC adapter
Dimension	412x 330x 185 mm (Wx Hx D)	
Weight	9 kgs	
Carrying Case	Padded carrying case with wheels	

## Environmental Factors

	Operating	Non-Operating
Temperature	0°C~50°C	-20°C~60°C
Relative Humidity	10%~90%	10%~95%
Approval	CE, FCC, RoHS	