

# ARP970 - B

# Multi-Slot Portable Computer

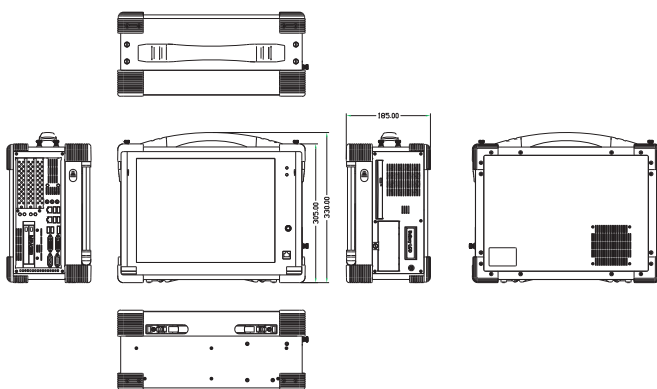


## Specification

Model No	ARP970 - B
Construction	Rugged Aluminum Construction with rubber corners
CPU	Intel Core i5-2510E, 3M Cache, 2.50GHz Processors Option: Intel Core i7-2710QE, 6M Cache, 2.10GHz
Chipset	Intel Qm77 Express Chipset
Slot	2x PCI, 1PCI-E (x16) full-length expansion slots Option: 3x PCI-E (x16, x1, x1) full-length expansion slots Option: 3x PCI-E (x8, x8, x1) full-length expansion slots
Display	15" LCD display, 1024x 768 resolution Anti-reflection tempered strengthen glass Option: 15.6", 1920x 1080 resolution
Memory	2x 4GB RAM
HDD	1x 500GB 2.5" HDD, 7200 rpm SATA HDD Support 2x 2.5" removable SATA
CDROM	1x Slim DVD-RW
Interfaces	2x DB9 for COM1, COM2, DVI-D + DVI-I, DP 2x Gbit LAN RJ-45, RCA Jack 3x1 for HD audio 2x USB 3.0, 4x USB 2.0 connector
Audio	Intel® Qm77 built-in high definition audio controller With Realtek ALC892 for 7.1 CH audio
LAN	Intel 82579LM Gigabit LAN PHY Intel 82583V Gigabit LAN
Speaker	Built-in amplified 2x 3W speakers
KB/MS	Multi-language industrial keyboard with touchpad
Power Supply	2x 95W Li-ION battery Pack (Hot-Swappable) Up to 4 hours battery life 100W, 90~264VAC adapter
Dimension	412x 330x 185 mm (Wx Hx D)
Weight	9 kgs
Carrying Case	Padded carrying case with wheels

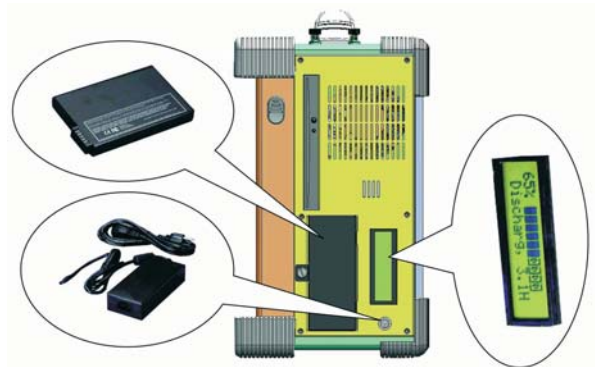
## Environmental Factors

	Operating	Non-Operating
Temperature	0°C~50°C	-20°C~60°C
Relative Humidity	10%~90%	10%~95%
Approval	CE, FCC, RoHS	



## Features

- All-in-one design rugged portable computer
- Compact Size Lightweight Design
- Built-in 15" LCD display with tempered glass  
Option: 15.6" LCD, 1920x 1080 resolution
- Intel Core i5-2510E (2.50 GHz) Processors  
Option: Intel Core i7-2710QE Processors
- 2x 95W, Li-ion battery packs, 100W AC adapter  
Up to 4 hours battery life
- Industrial Keyboard multi-language with touchpad
- 2 PCI, 1PCI-E (x16) full-length expansion slots  
Option: 3x PCI-E (x16, x1, x1) full-length slots  
Option: 3x PCI-E (x8, x8, x1) full-length slots
- Built-in 500GB, 1x 2.5" removable SATA
- Dual Gigabit Ethernet, 2x COM Port
- Carrying case to manage portable PC with ease



## Ordering Information

### ARP970-B15USC

15" LCD, i5-2510E CPU, 2x 4G RAM, 2 PCI, 1PCI-E(x16), 500G HDD, DVD-RW, Battery Packs, Carry case

### ARP970-B15USD

15" LCD, i5-2510E CPU, 2x 4G RAM, 3 PCI-E (x16, x1, x1) slots, 500G HDD, DVD-RW, Battery Packs, Carry case

### ARP970-B15USG

15" LCD, i5-2510E CPU, 2x 4G RAM, 3 PCI-E (x8, x8, x1) slots, 500G HDD, DVD-RW, Battery Packs, Carry case

### Option:

Processor: Intel i7-2710QE

Touch screen

Sunlight readable (High brightness)

Keyboard layout: CH, FR, GR, KR, RU, SP, UK, US