

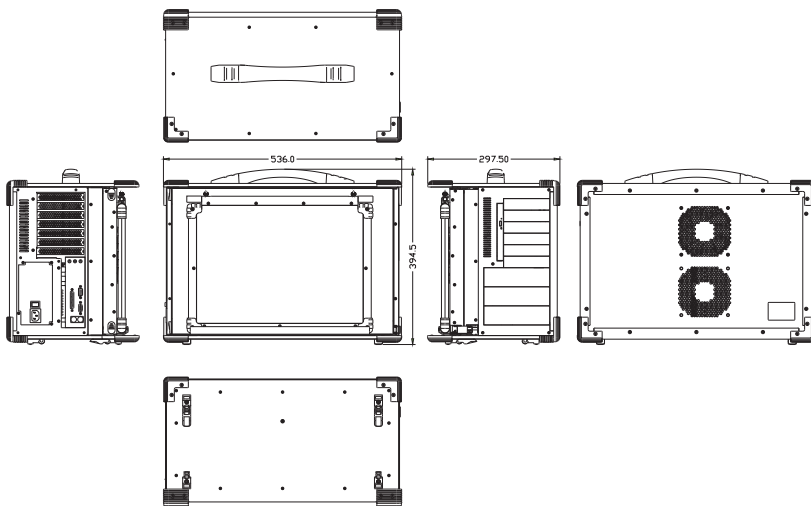


## Specification

Model No	ARP692
Construction	Rugged Aluminum Construction with rubber corners
Motherboard	Support standard ATX motherboard
Slot	Offer 7 full-length expansion slots
Display	2x 21.5" LCD display, 1920x 1080 resolution
Drive bay	3x 5.25", 6x 3.5" drive bay
VGA	AD conversion board 2 DP outputs for 2 screens
KB/MS	Multi-language industrial keyboard with touchpad
Power Supply	PS2 750W, 100~240VAC, Auto switch
Speaker	Built-in amplified 2x 3W speakers
Dimension	536x 394.5x 297.5mm (Wx Hx D)
Weight	18 kgs
Trolley Case	Padded trolley case with wheels

## Environmental Factors

	Operating	Non-Operating
Temperature	0°C~50°C	-20°C~60°C
Relative Humidity	10%~90%	10%~95%
Approval	CE, FCC, RoHS	



## Features

- All-in-one design multi-screen portable solution
- Built-in 2x 21.5" LCD display, 1920x 1080 resolution
- Support standard ATX motherboard
- Offer 7 full length slots expansion capability
- Creates a stretched desktop with a max. Resolution of 3840x 1080 (2x 1920x 1080)
- Open an application on each display or span one across 2-screens
- Experience surround gaming by expanding supported 3D games
- Industrial Keyboard multi-language with touchpad
- PS2 750W power supply, 100~240VAC
- Offer 3x 5.25", 6x 3.5" drive bay
- Trolley case to manage portable PC with ease



## Ordering Information

### ARP692-21USDD

2x 21.5" LCD, 1920x 1080, 7 slots for ATX MB, 3x 5.25", 6x 3.5" 750W PSU, 2DP interfaces, trolley case