

ARL998-B

Portable laptop system

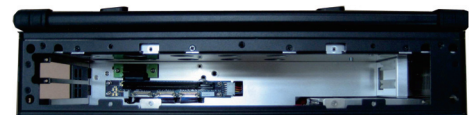


Specification

Model No	ARL998-B
Construction	Rugged Aluminum Construction
CPU	Intel Core i5-9500E, 3.00GHz Processors Option: Intel Core i7-9700E, 2.60GHz Processors
Chipset	Intel® 9th/8th Gen. Core CPU with Intel Q370 PCH
Slot	2x PCIe (x8) expansion slots Option: 2PCI expansion slots Option: 1x PCIe (x16) expansion slot
Display	17.3", 1920x 1080 resolution LCD display
Memory	16GB DDR4 RAM
HDD	1x SSD 500G, support 1x 2.5" removable
Audio	Intel® Q370 PCH-H built-in HD audio controller With Realtek Codec ALC888S-VD2-GR
LAN	Intel® I219LM GbE LAN Intel® I210AT / I211AT GbE LAN
Speaker	Built-in amplified 2x 3W speakers
KB/MS	Multi-language industrial keyboard with touchpad
Power Supply	2x 95W Li-ION battery Packs (Hot-Swappable) 100W, 90~264 VAC adapter
Dimension	428.6x 110.8x 367.5 mm (Wx Hx D)
Weight	6.8 kgs
Trolley Case	Padded trolley case with wheels

Features

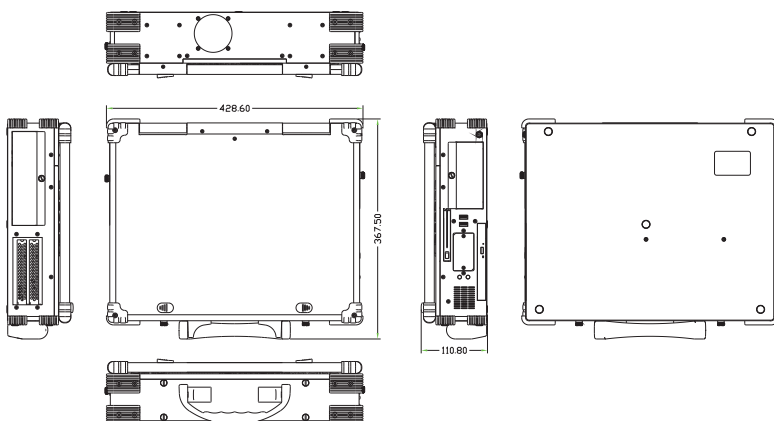
- All-in-one design rugged portable computer
- Compact Size Lightweight Design
- Built-in 17.3", 1920x 1080 LCD display
- Intel® 9th/8th Gen. Core CPU with Intel Q370 PCH
- 2x 95W Li-ION battery packs, 100W adapter
- Intel Core i5-9500E, 3.00GHz Processors
Option: Intel Core i7-9700E, 2.60GHz Processors
- Industrial Keyboard multi-language with touchpad
- 2 PCIe (x8) expansion slots
Option: 2x PCI expansion slots
Option: 1x PCIe (x16) expansion slot
- Built-in 500GB SSD, 1x 2.5" removable SATA
- Dual Gigabit Ethernet, 2x COM Port
- Trolley case to manage portable PC with ease



2 full size expansion slots

Environmental Factors

	Operating	Non-Operating
Temperature	0°C~50°C	-20°C~60°C
Relative Humidity	10%~90%	10%~95%
Approval	CE, FCC, RoHS	



Ordering Information

ARL998-B17WUSA

17.3" LCD, 1920x 1080, i5-9500E CPU, 16GB RAM, SSD 500GB, 2PCI-E (x8), Battery packs, Trolley case

ARL998-B17WUSB

17.3" LCD, 1920x 1080, i5-9500E CPU, 16GB RAM, SSD 500GB, 2PCI, Battery packs, Trolley case

ARL998-B17WUSC

17.3" LCD, 1920x 1080, i5-9500E CPU, 16GB RAM, SSD 500GB, 1PCI-E (x16), Battery packs, Trolley case

Option:

- Intel core i7-9700E, 2.60Ghz
- Touch screen
- Sunlight readable (High brightness)