



VGA port



DVI-D port



HDMI port

Specification

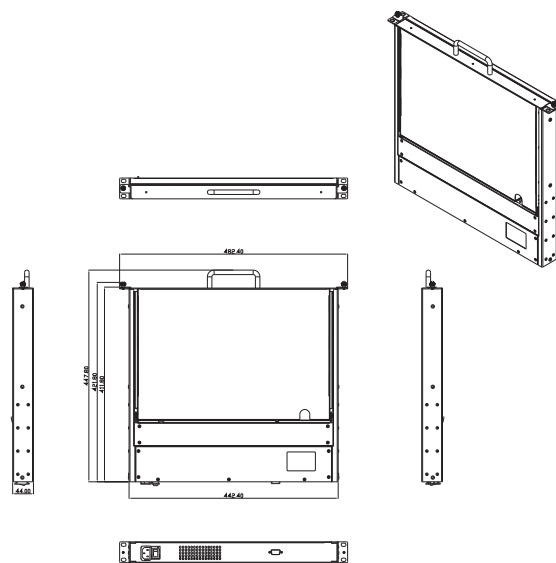
Model No	AMK501	AMK501-V	AMK501-H	AMK501-Y
Construction	Heavy-duty steel			
Drawer design	1U, single slide rail LCD KB drawer for 19" cabinet			
Display	17.3", 1920x 1080 resolution with tempered glass			
Protection	Tempered glass protect LCD screen			
Physical security	2 thumb screws to secure LCD monitor			
Ports switch	VGA input, USB KB/MS	DVI-D input, USB KB/MS	HDMI input, USB KB/MS	DP input, USB KB/MS
Keyboard	Industrial keyboard with touchpad Option KB: CH, FR, GR, IT, JP, KR, PT, RU, SP, UK, US			
Power supply	Built-in 60W, 90~264VAC, Operating temp.: -20~70°C			
Power consumption	3 watts stand-by, 25 watts in-use			
Dimension	442.4x 44x 411.8mm (Wx Hx D)			
Weight	10 kgs			
KVM cable	VGA/ USB	DVI-D/ USB	HDMI/ USB	DP/ USB

Environmental Factors

	Operating	Non-Operating
Temperature	0°C~50°C	-20°C~60°C
Relative Humidity	10%~90%	10%~95%
Approval	CE, FCC, RoHS	

Features

- Meets EIA310c & IEC-3 specification
- 1U, Single slide rail, 17.3" LCD Keyboard drawer
- Built-in 17.3" LCD monitor, 1920x 1080 resolution
- VGA or DVI-D or HDMI or DP input for LCD display
- USB or PS2 keyboard with touchpad
- Industrial keyboard with touchpad
- 1U, short depth and lightweight
- 2 thumb screws to secure 17.3" LCD monitor
- Built-in rail self-locking device
- Tempered glass protect LCD screen



Ordering Information

AMK501-17WPBUS

1U, 17.3", 1920x 1080, VGA, PS2 KB/MS, 1.8m PS2 KVM cable

AMK501-17WUBUS

1U, 17.3", 1920x 1080, VGA, USB KB/MS, 1.8m USB KVM cable

AMK501-17WUBVUS

1U, 17.3", 1920x 1080, DVI, USB KB/MS, 1.8m DVI/ USB cable

AMK501-17WUBHUS

1U, 17.3", 1920x 1080, HDMI, USB KB/MS, 1.8m HDMI/ USB cable

AMK501-17WUBYUS

1U, 17.3", 1920x 1080, DP, USB KB/MS, 1.8m DP/ USB cable

Option:

80W, 24~48VDC power supply

-48VDC power supply

Touch screen

Sunlight readable (High brightness)



PS2 KVM Cable



USB KVM Cable