

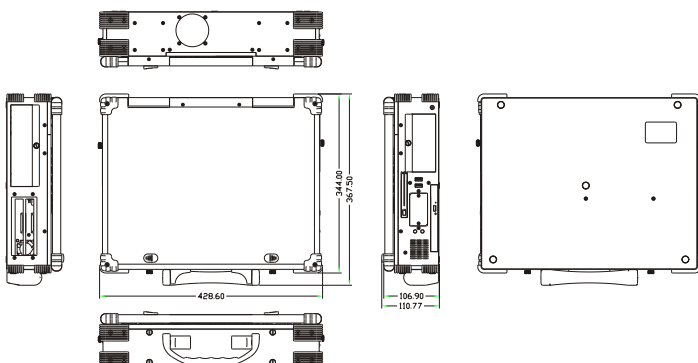


Specification

Model No	ARL970-B
Construction	Rugged Aluminum Construction
CPU	Intel Core i5-2510E, 3M Cache, 2.50GHz Processors Option: Intel Core i7-2710QE, 6M Cache, 2.10GHz
Chipset	Intel Qm77 Express Chipset
Slot	1x PCI-E (x16), 1x PCI-E (x1) full-length slots Option: 2 PCI full-length slots
Display	17.3" LCD with LED backlight, 1920x 1080 resolution Anti-reflection tempered strengthen glass Option: 17.3" LCD, 1600x 900 resolution
Memory	2x 4GB RAM
HDD	1x 500GB 2.5" HDD, 1x 2.5" removable SATA Option: 2.5", 240GB SSD
CDROM	1x Slim DVD-RW
Interfaces	2x DB9 for COM1, COM2, DVI-D + DVI-I, DP 2x Gbit LAN RJ-45, RCA Jack 3x1 for HD audio 2x USB 3.0, 4x USB 2.0 connector
Audio	Intel® Qm77 built-in high definition audio controller With Realtek ALC892 for 7.1 CH audio
LAN	Intel 82579LM Gigabit LAN PHY Intel 82583V Gigabit LAN
Speaker	Built-in amplified 2x 3W speakers
KB/MS	Multi-language industrial keyboard with touchpad
Power Supply	2x 95W Li-ION battery Packs (Hot-Swappable) 100W, 90~264 VAC adapter
Dimension	428.6x 110.7x 367.5 mm (Wx Hx D)
Weight	6.8 kgs
Carrying Case	Padded carrying case with wheels

Environmental Factors

	Operating	Non-Operating
Temperature	0°C~50°C	-20°C~60°C
Relative Humidity	10%~90%	10%~95%
Approval	CE, FCC, RoHS	



Features

- All-in-one design rugged portable computer
- Compact Size Lightweight Design
- Built-in 17.3" LCD with LED backlight , 1920x 1080
- Option: 17.3" LCD, 1600x 900 resolution
- Intel QM77 (Gen3), Intel core i7/ i5 Processors
- 2x 95W Li-ion battery packs, 100W adapter
- Intel Core i5-2510E (2.50 GHz) Processors
- Option: Intel Core i7-2710QE (2.10 GHz) Processors
- Industrial Keyboard multi-language with touchpad
- PCI-E (x16), PCI-E (x1) or 2 PCI expansion slots
- Built-in 500GB, 1x 2.5" removable SATA
- Dual Gigabit Ethernet, 2x COM Port
- Carrying case to manage portable PC with ease



1PCI -E (x16) , 1PCI-E(x1) full size expansion slots



2PCI full size expansion slots

Ordering Information

ARL970-B17WUSA

17.3" LCD, 1920x 1080, i5-2510E CPU, 2x 4G RAM, 500G HDD, 1PCI-E (x16), 1PCI-E (x1), DVD-RW, Battery Packs, carry case

ARL970-B17WUSB

17.3" LCD, 1920x 1080, i5-2510E CPU, 2x 4G RAM, 500G HDD, 2 PCI slots, DVD-RW, Battery Packs ,carry case

Option:

- Processor: Intel i7-2710QE
- LCD display: 17.3", 1600x 900 resolution
- Touch screen
- Sunlight readable (High brightness)
- Keyboard layout: CH, FR, GR, KR, RU, SP, UK, US