



Features

- Meets EIA310c & IEC-3 specification
- 1U, Dual slide rail, 17" or 19" LCD Keyboard drawer
8 port PS2 or Combo KVM switch
- Built-in 17" LCD monitor, 1280x 1024 resolution
Option: 19", 1280x 1024 LCD monitor
- Industrial keyboard with touchpad
- Includes a key-locking mechanism to prevent unauthorized access
- Built-in rail self-locking device
- Tempered glass protect LCD screen

KVM switch

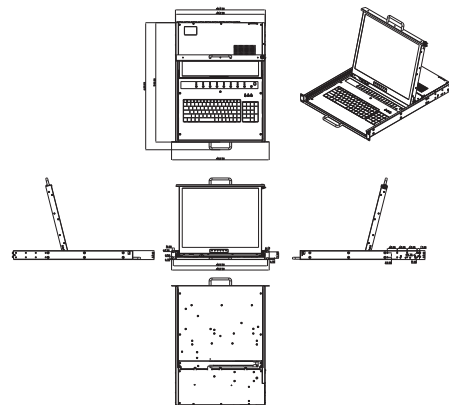
- 8 port PS2/ Combo KVM switch
- Support password protection and server name
- Support Windows, DOS, Netware, Unix, Linux, IMAC, Power MAC and Sun Micro systems with USB
- Hot plug- add or remove connected computer without powering off the KVM switch or computer
- No software required. Easy computer selection via Front push buttons, Hot Key, OSD manu
- Firmware upgrades to all the chained KVM switch via the KVM cable connects to port 1 (Combo KVM only)
- Auto scan mode. Easy to monitor server operation
- Superior video bandwidth up to 200MHz
- LED display for status monitor
- Buzzer sound for server switched confirmation

Specification

Model No	AMK708-PB	AMK708-CB
Construction	Heavy-duty steel	
Drawer design	1U, Dual slide rail LCD KB drawer for 19" cabinet Enable independent extraction of LCD or KB alone	
Display	17", 1280x 1024 resolution with tempered glass Option: 19", 1280x 1024 with tempered glass	
Protection	Tempered glass protect LCD screen	
Physical security	Key locking mechanism	
KVM switch	8 port PS2 KVM switch	8 port Combo KVM switch
Port connection	Daisy chain up to 8 levels to support up to 120 sets	
Port selection	8x Front push buttons, OSD Manu, Hotkey	
LED indication	Power LED indicates a computer is connecting Operation LED indicates the port has been selecting	
Keyboard	Industrial keyboard with touchpad Option KB: CH, FR, GR, IT, JP, KR, PT, RU, SP, UK, US	
Power supply	Built-in 60W, 90~264VAC, Operating temp.: -20~70°C	
Power consumption	3 watts stand-by, 25 watts in-use	
Dimension	442.4x 44x 590mm (Wx Hx D)	
Weight	13 kgs	
KVM cable	8x 1.8m PS2 KVM cable	8x 1.8m USB KVM cable

Environmental Factors

	Operating	Non-Operating
Temperature	0°C~50°C	-20°C~60°C
Relative Humidity	10%~90%	10%~95%
Approval	CE, FCC, RoHS	



Ordering Information

AMK708-17PBUS

1U, dual rail, 17" LCD, 8-port PS2 KVM with 8x 1.8m PS2 cables

AMK708-17CBUS

1U, dual rail, 17" LCD, 8-port Combo KVM with 8x 1.8m USB cables

AMK708-19PBUS

1U, dual rail, 19" LCD, 8-port PS2 KVM with 8x 1.8m PS2 cables

AMK708-19CBUS

1U, dual rail, 19" LCD, 8-port Combo KVM with 8x 1.8m USB cables

Option:

80W, 24~48VDC power supply

1.8m, 3.0m, 5.0m KVM cable

Keyboard layout: CH, FR, GR, IT, JP, KR, PT, RU, SP, UK, US